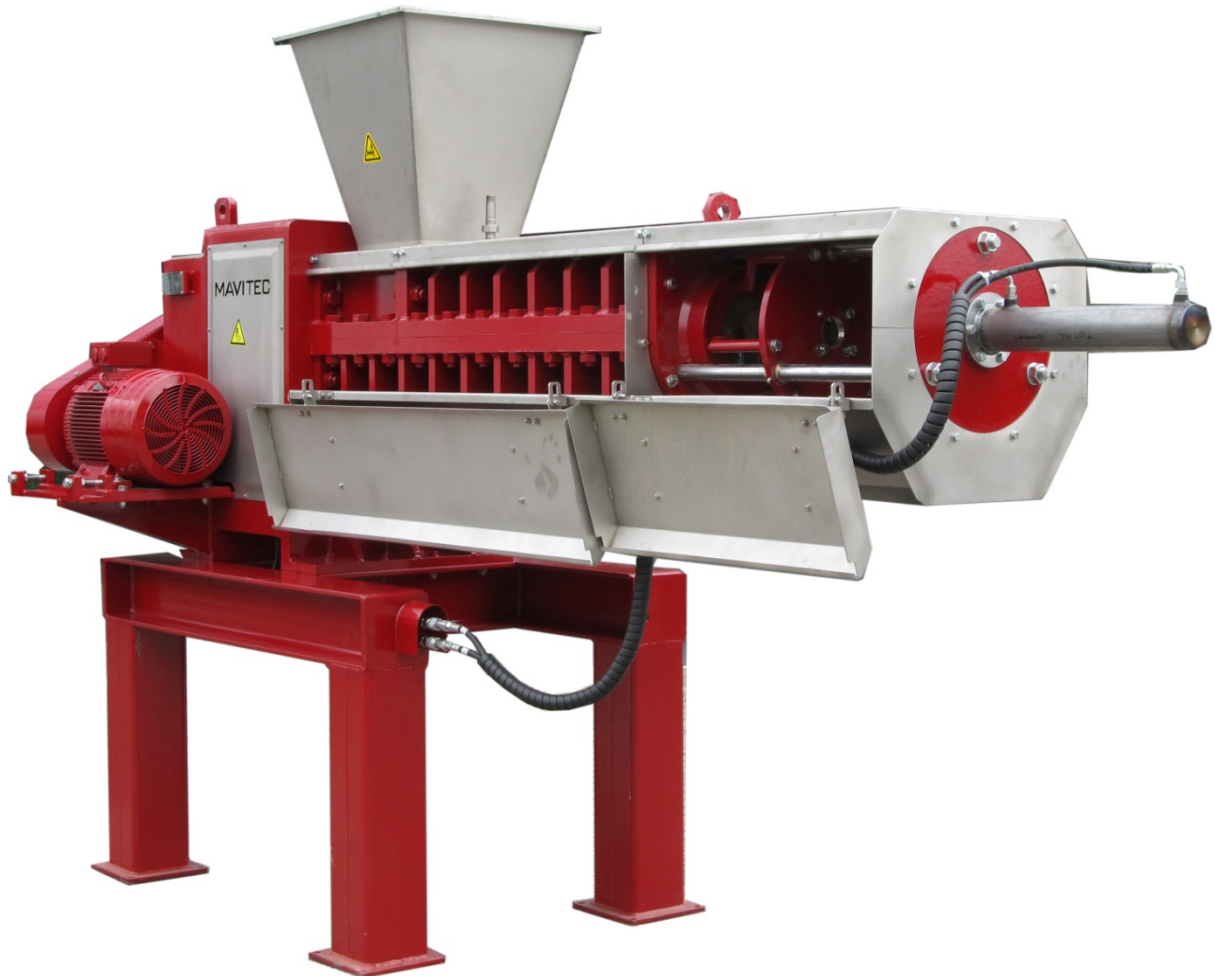


Shop Return Press



Function: Separation of organic material from various non-organic materials (Packaging)

Features:

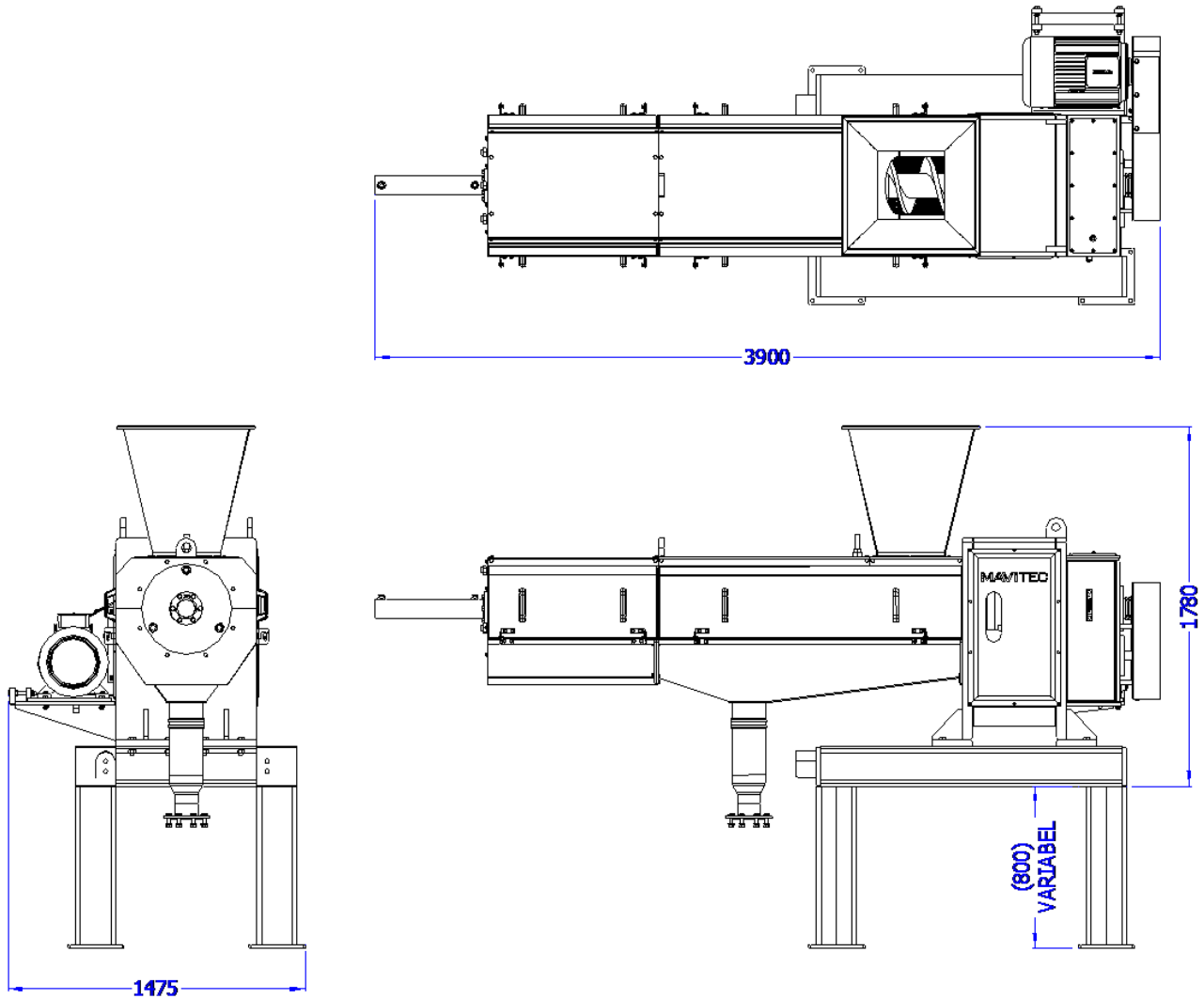
- Stainless steel inlet hopper
- Stainless steel splash shields
- Stainless steel drip pan
- V-belt arrangement driven by a 22 kW engine
- Carbon steel main cage
- Replaceable barrel bar spacers
- Main shaft with continuous flight arrangement
- Including hydraulic choke



Capacity: 7,0 m³/hr up to 10,0 m³/hr depending on material composition

Optional: Integrated sprinkler system

Shop Return Press



Due to ongoing product improvements, data shown here is subject to change without notice.
Contact Mavitec B.V. for latest specifications.



Galileistraat 20, 1704 SE Heerhugowaard, The Netherlands
Tel.: +31-72-574 59 88 - Fax: +31-72-574 55 48
E-mail: info@mavitec.com - www.mavitecgreenenergy.com

Customer service is our growth!