

# Martinater® 700



**Function:** to grind shop returns, restaurant returns and any other food products suitable for recycling and/or biogas additives.

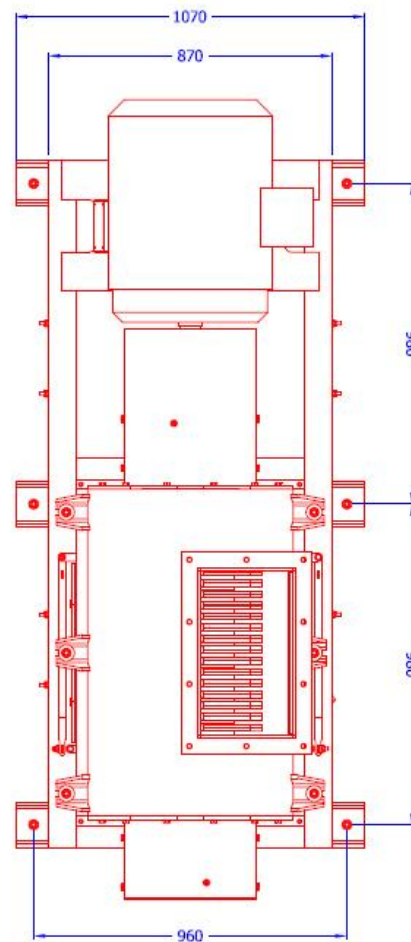
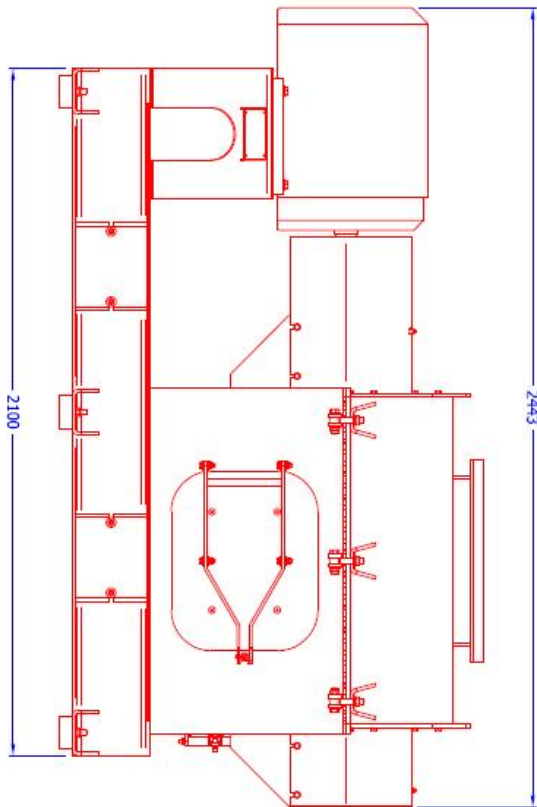
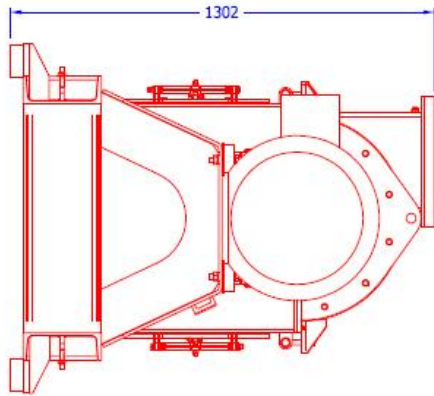
**Features:**

- Heavy duty execution
- Simple and low maintenance design
- Compact size
- Swing hammer principle
- Variable sizes available due to easy change of screens
- Special collection section for tramp materials

**Capacity\*:** 7,5 m<sup>3</sup> per hour up to 20m<sup>3</sup> per hour  
(\* depends on material composition)



# Martinater® 700



Due to ongoing product improvements, data shown here is subject to change without notice.  
Contact Mavitec B.V. for latest specifications.



Galileistraat 20, 1704 SE Heerhugowaard, The Netherlands  
Tel.: +31-72-574 59 88 - Fax: +31-72-574 55 48  
E-mail: [info@mavitec.com](mailto:info@mavitec.com) - [www.mavitecgreenenergy.com](http://www.mavitecgreenenergy.com)