

# Paddle Depacker

Enhanced and high capacity de-packing solution!



**Function:** Producing a clean organic product suitable for biogas installations by separating the organic material from the packaging.

## Features Paddle Depacker:

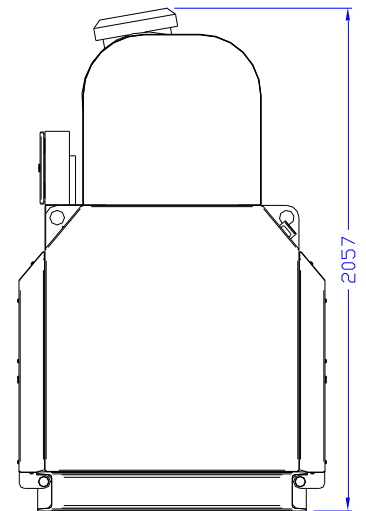
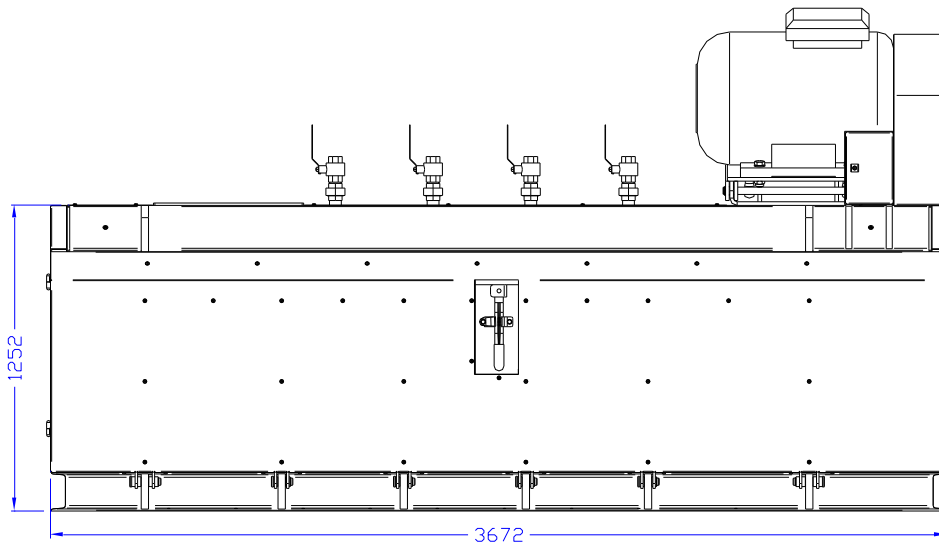
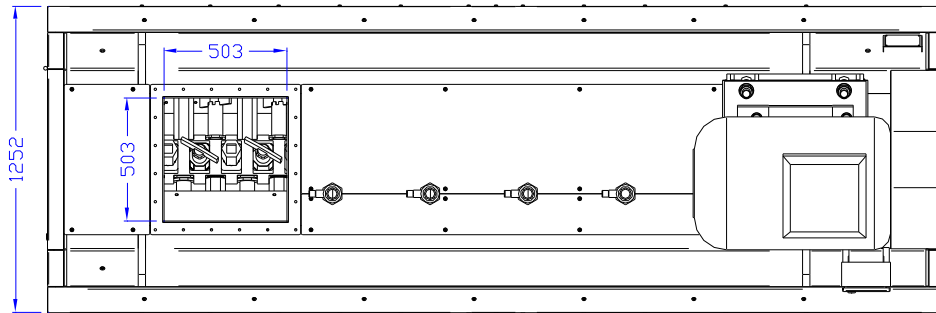
- Heavy duty execution
- Simple and low maintenance design
- Compact size
- High capacity
- Variable screen sizes available
- Up to 99% clean organic material
- Quick opening doors for easy cleaning
- Hydraulic opening covers
- Bolt free screen exchange
- Low installed power
- Fixed shaft execution
- Stainless steel isolated splash shields for low noise operation



**Capacity\*:** up to 30 m<sup>3</sup> per hour  
(\* depends on material composition)

# Paddle Depacker

Enhanced and high capacity de-packing solution!



Model	Power	Weight	Length	Width	Height
	kW	kg	mm	mm	mm
PD4500	45	4500	3672	1252	2057

Due to ongoing product improvements, data shown here is subject to change without notice.  
Contact Mavitec B.V. for latest specifications.



Galileistraat 20, 1704 SE Heerhugowaard, The Netherlands  
Tel.: +31-72-574 59 88 - Fax: +31-72-574 55 48  
E-mail: info@mavitec.com - www.mavitecgreenenergy.com